

# EXPLOSION-PROOF ZONE 2 TELEPHONE HANDSET/KEYPAD 237 Series

TELEPHONES LE LAS (FRANCE Head Office)

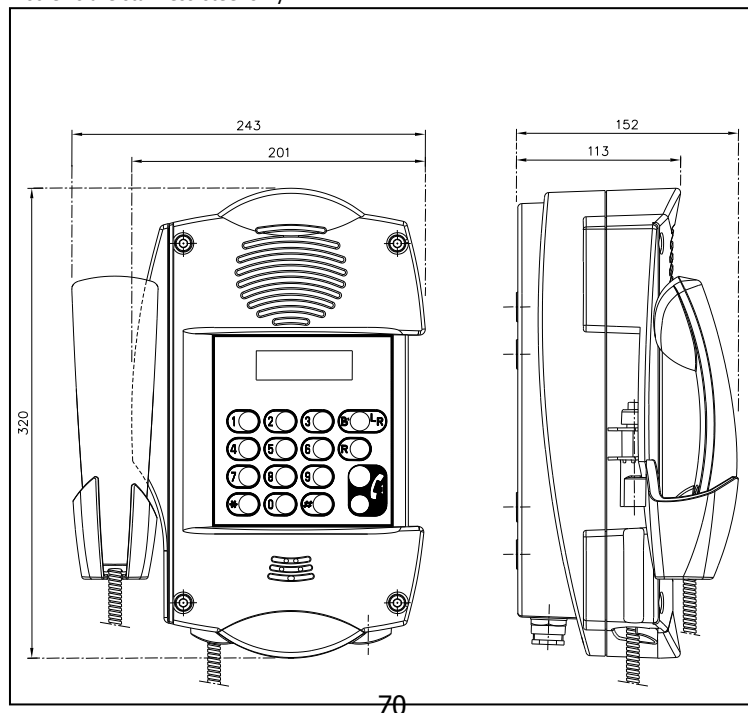
Tel:0033 1 48766262

E-mail: [lelas@lelas.fr](mailto:lelas@lelas.fr)

Fax:0033 1 48768304

Web-site:[www.lelas.fr](http://www.lelas.fr)

All screws are stainless-steel only



Explosion-proof Telephone for only Zone 2  
for wall mounting, outdoor, for the locale  
industrial and noisy  
**P/N 237 Series**

### Electrical Characteristics:

Direct current supply:	12 to 48 Vdc
Consumption:	< 30mA
Ringing voltage:	35 – 90 Va
Dialling:	DTMF / decimal
Flashing/earth:	adjustable
Electronic Bell:	90dB at 1 m.
Visual calling signal :	On require
Noise cancelling:	noise cancelling circuit
Hook:	magnetic
Conversation Mode:	By handset(TLA237) Or handsfree(TLS237)

### Others:

CCITT Q23

Body material / Color:.....Polyester plastic / RAL2003  
Handset material / color : .....Polyester plastic / Black  
Handset cord: .....stainless steel (INOX) 150kg resistance  
Loudspeaker/microphone: .....vandal resistant /5W  
Mounting: .....on wall  
Termination: .....Inside screw connections  
Dimensions: : ..... 201 X 320 X 113 mm  
Weight: .....2,3 kg  
IP-rating:.....IP66  
EEx protection: .....ATEX I13 G ZONE 2 (Class I Division 2)  
Max. / min. amb. Temp:.....-40 °C / + 60°C

### Available Versions:

TLA237A1 : Telephone ATEX IIC with handset and keypad  
TLA237A1L: Telephone handset, keypad and Display  
TLS237A2C9G: Handsfree phone with handset, keypad  
TLS237A2C9GL: Handsfree phone with handset, keypad, display



### Installation, Operation and Maintenance Procedures

- Open the pivoting front panel removing the three screws.
- Pass the cables through the cable glands being sure that the cable fit with the rubber gasket
- Connect the telephone wires at the screw terminals as indicated in the operator's book
- Make a functional test calling another extension and asking to be re-called
- Adjust the volume of the bell (see operator's book)
- Adjust the sensitivity of the microphone (see operator's book)
- Close the front panel paying attention to the position of the gaskets
- This equipment is supplied with a 2 year warranty against defective workmanship